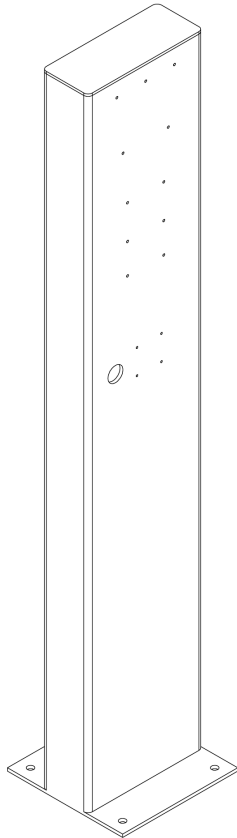


Installation Guide for TurnOnGreen Rectangle Pedestal

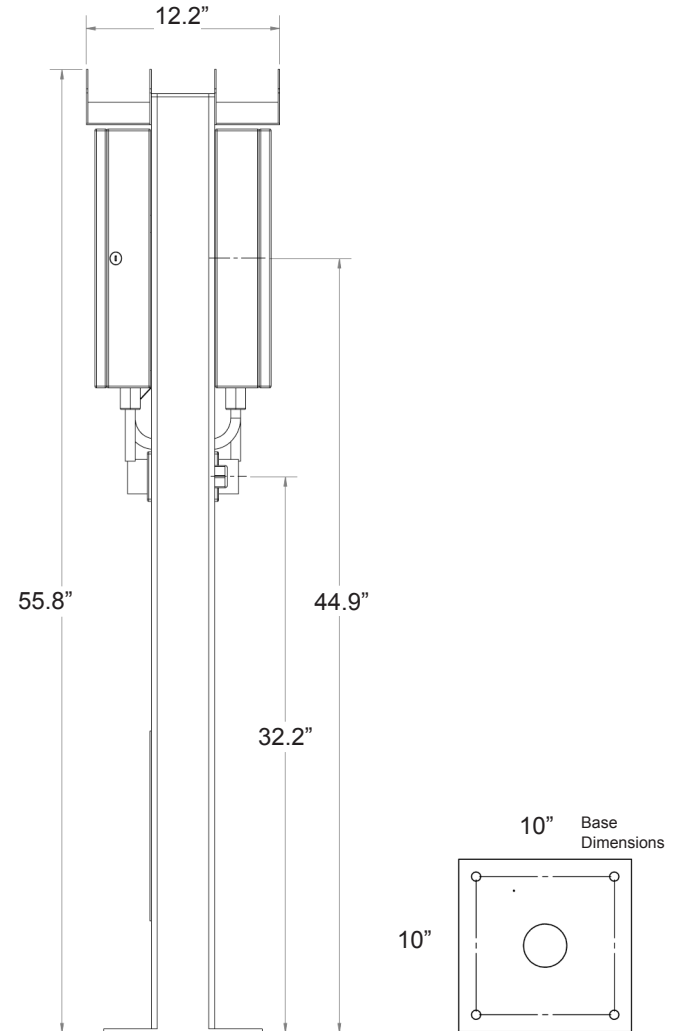
Single and Dual Capable - CEVAC-PED-R-ONE

Installation Instructions



Compatible with:
EV700
EVP700-4G-B

1. Dual-capable Pedestal Dimensions in inches



support@turnongreen.com

Copyright , TURNONGREEN
TURNONGREEN reserves the right to update the manual without any notice.

2. Installation Instructions

2.1. Concrete Base Requirements

The concrete pad should be in compliance with local regulatory requirements. The following dimensions are a minimum recommendation only.

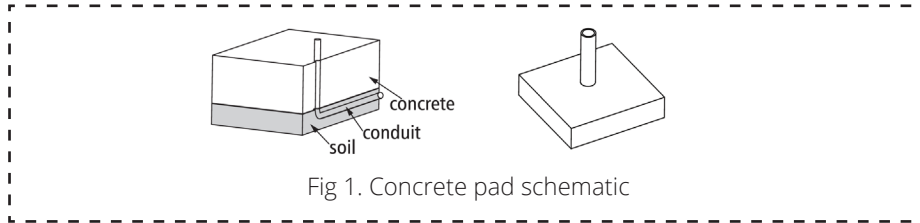


Fig 1. Concrete pad schematic

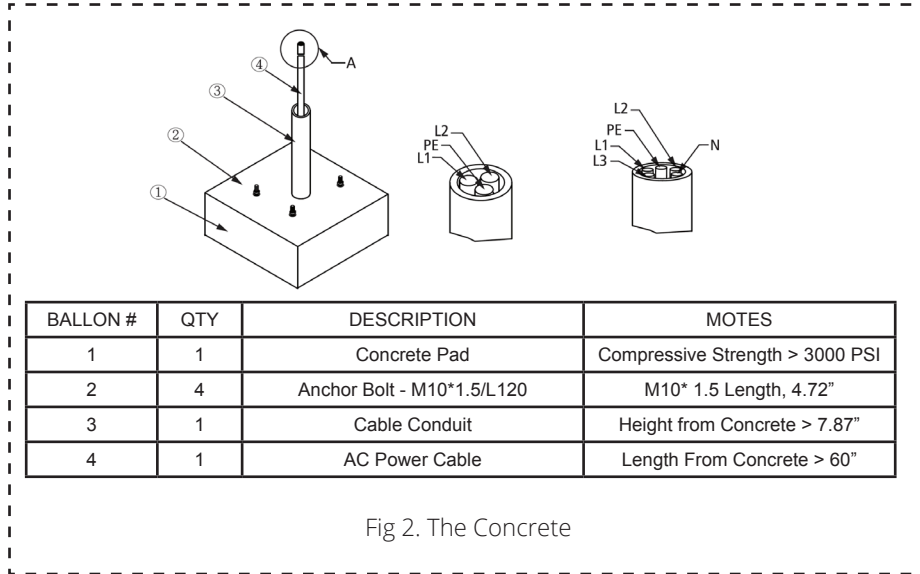


Fig 2. The Concrete

- First build the concrete bad for the pedestal with a compressive strength of over 3000psi. See Fig 1 & Fig 2 for reference. Concrete pad dimension recommendation: W 15.75" x L 15,75: x 20" as shown in Fig 3.
- Next, mount 4 anchor bolts sized M12x1.75 onto the concrete pad base using the dimensions in fig 3. The height of the bolth sould be at least .80" above the concrete pad and depth of the bolt must be at least 3.55".

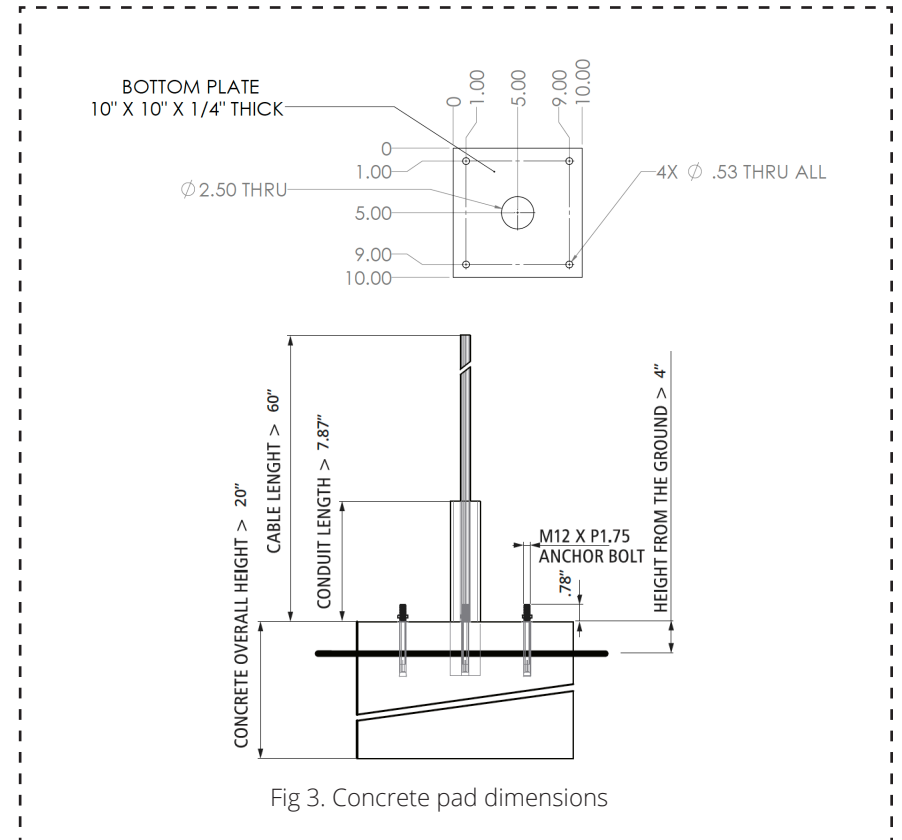


Fig 3. Concrete pad dimensions

- Length of the conduit should be over 7.87" to prevent liquid from entering.
- Ensure length of the AC power cable and Ethernet (LAN) cable should be at least 60" to reach up to through the pedestal body and into the charger.
- The TurnOnGreen charger will come with its own mounting instructions. Please see intructions included with EV charger.
- After AC and LAN cable work is completed, fill the gap with silicon sealant to prevent water, dust, or insects from entering.

2.2. Pedestal Installation

Align the pedestal base holes with the 4 holes on the concrete pedestal. Attach the pedestal using anchor bolts and nuts. (Tightening torque > 400 kgf-cm). See Figure 4.

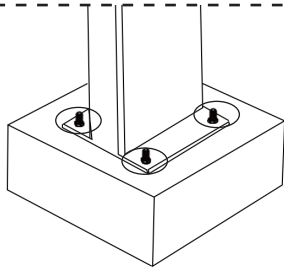
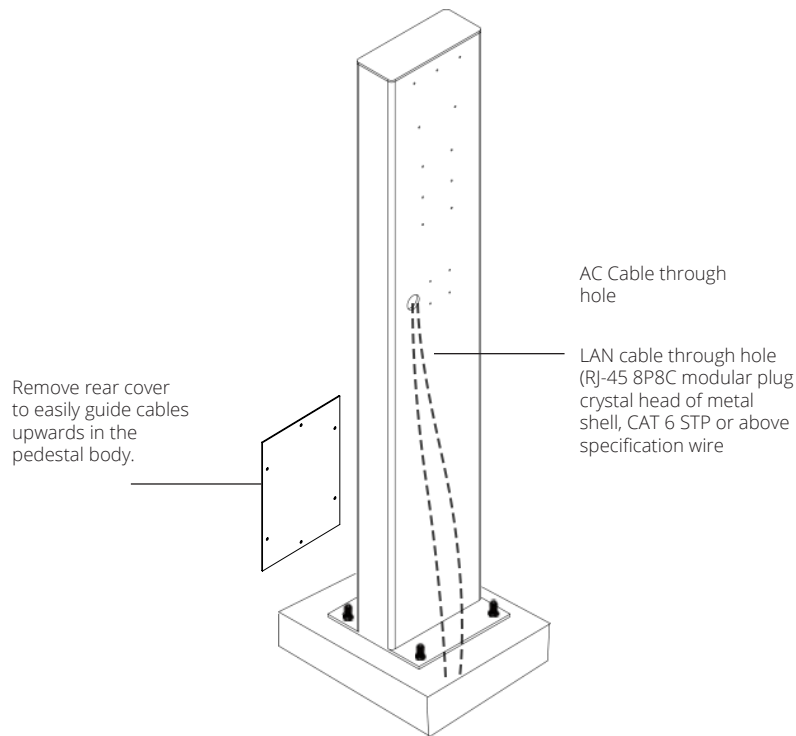


Fig 4. Pedestal bolt installation

Fig 5. Cables through hole



2.3. AC Cable and Ethernet

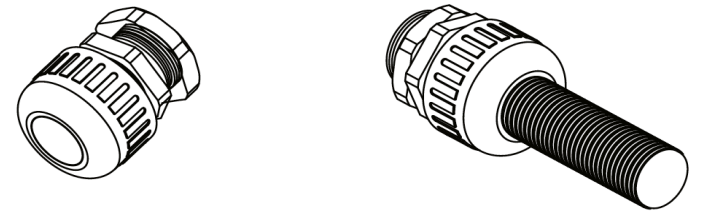
Remove the pedestal's rear cover to easily guide the AC power cable and CAT5 network cable (optional) up the pedestal and through the hole.

See Figure 5

2.4. Cord Grip

Use waterproof cord grips to connect the AC cable into the EV charger.

See Figure 6



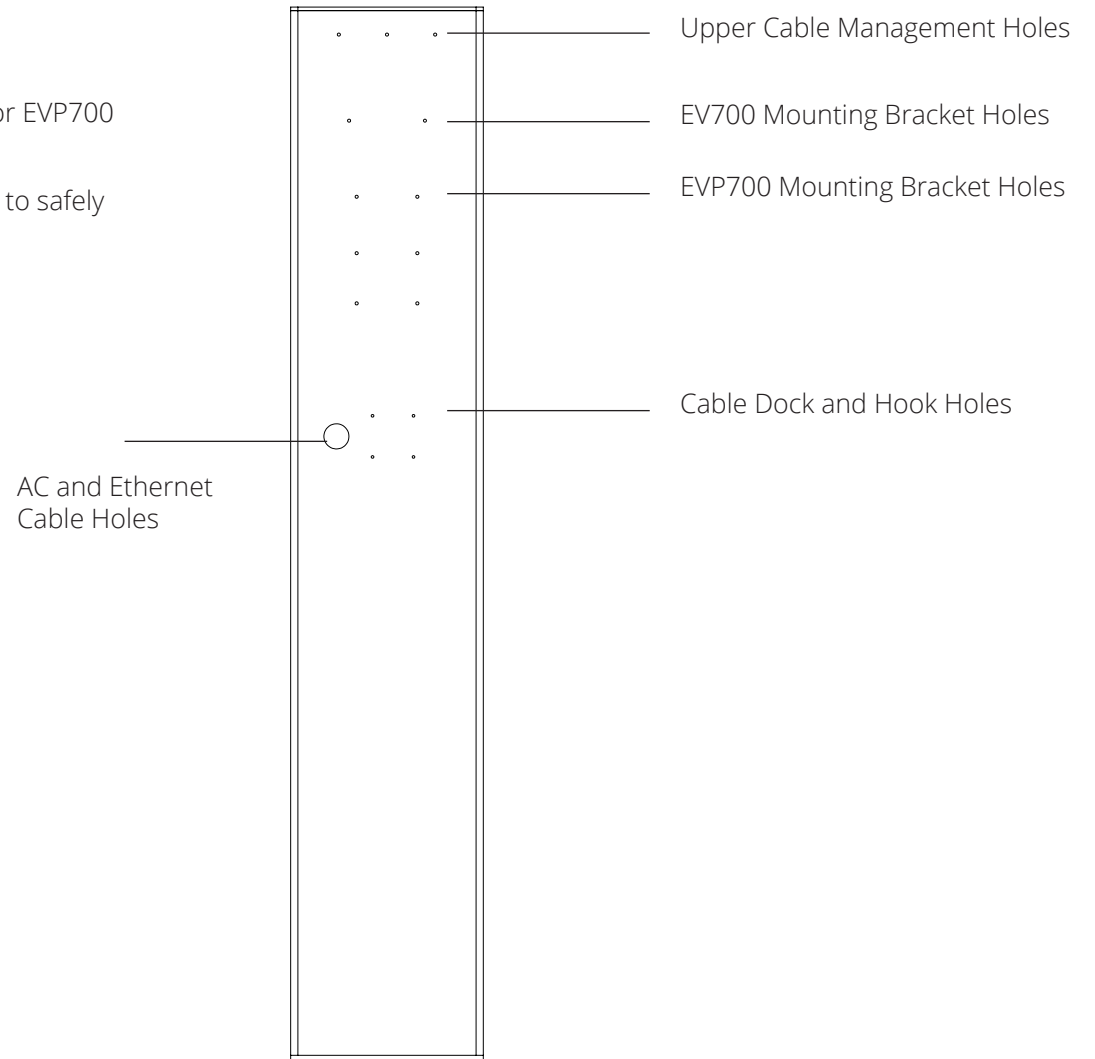
LockNut Washer Body Seal Sealing Nut Connector

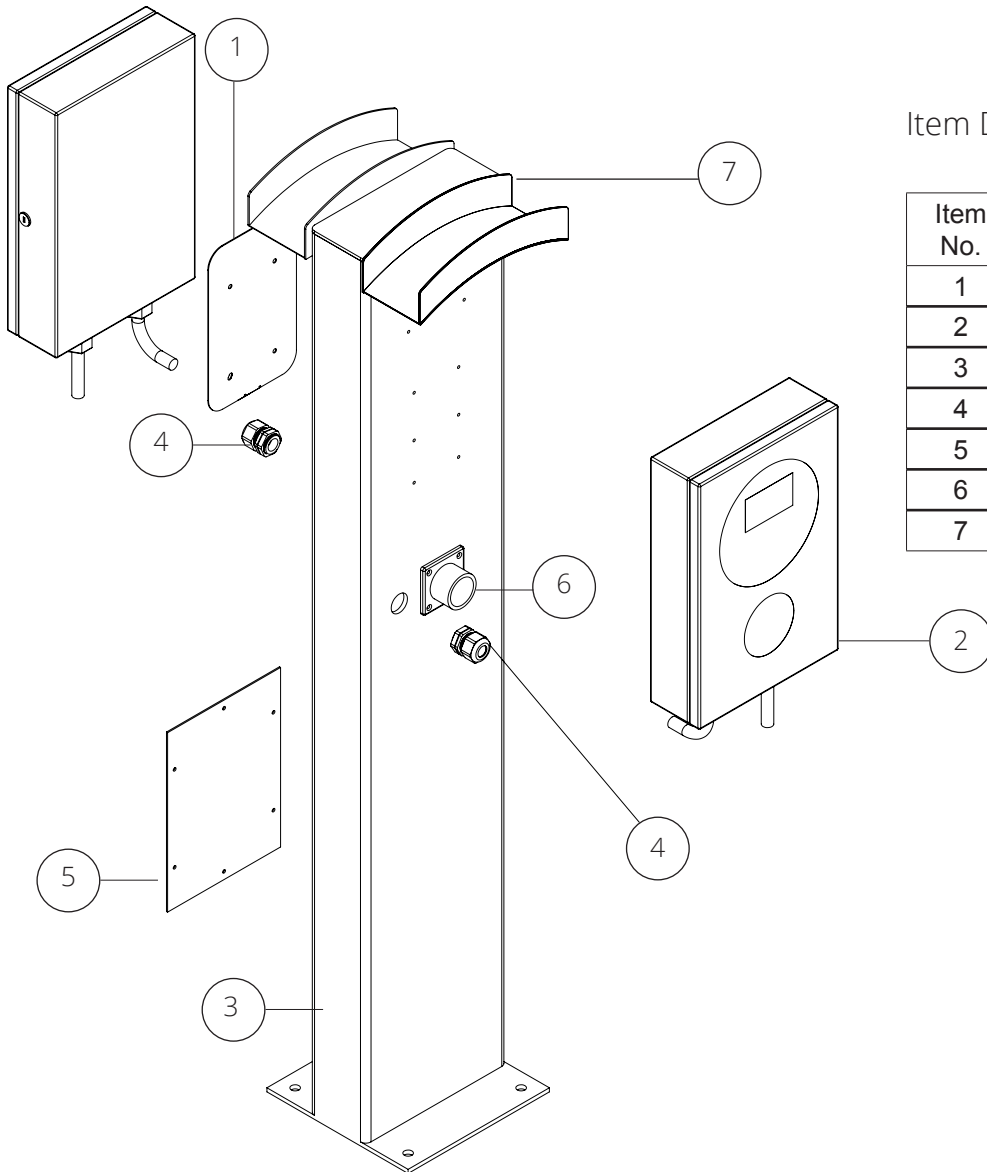
Metric thread BGQF-M

Item No.	Thread	Suit to RCCN conduit item no BG	Suite to RCCN conduit item no BG	Thread O.D. D1	Panel Mounting Hole	Thread Length L1
BGQF-M25B(BG-23)	M25 x 1.5	BG-23	28.5	25	25.-25.4	12

2.5. Charger Hardware Mounting

- Use the mounting bracket hardware included with EV700 or EVP700 to mount charger onto the pedestal.
- Follow the installation manual included with either charger to safely install the EV charging hardware.
- Install a J1772 cable dock and cable hook (optional)
- Install upper cable management hardware (optional)





Item Descriptions

Item No.	Qty	Description
1	1/2	Charger Bracket (in charger box)
2	2	EV Charger (EV700 shown)
3	1	Pedestal Body
4	2	Cord Grip
5	1	Rear Cover
6	1/2	Cable Dock and Hook (optional)
7	1/2	Upper Cable Management