

# TurnOnGreen® FSP600

Specifications and Ordering Information



## Ordering Information

The product codes below represent TurnOnGreen product configurations. Please contact TurnOnGreen sales for additional information.

Communicate the specific product code below to the representative. [sales@turnongreen.com](mailto:sales@turnongreen.com)

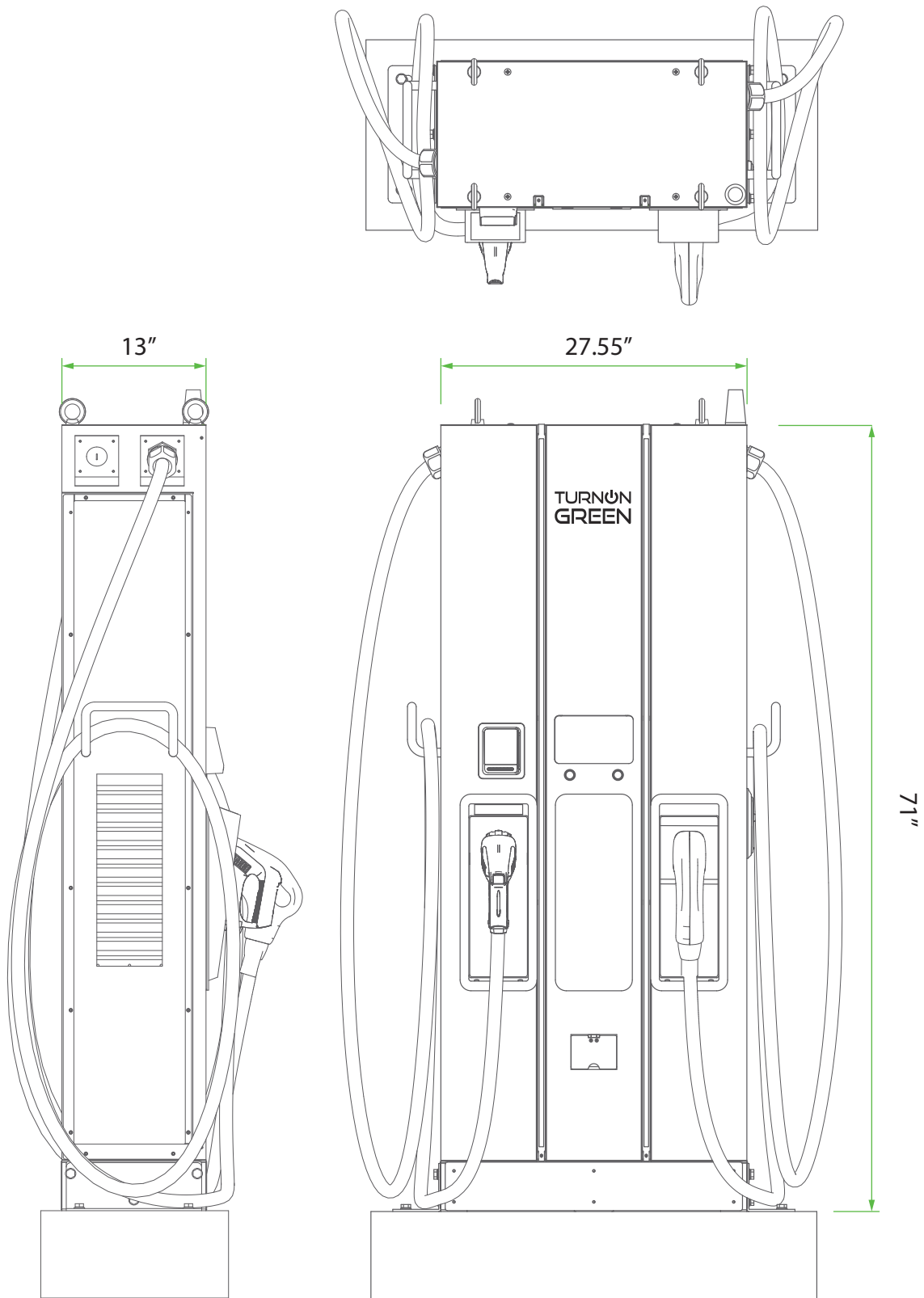
## Hardware

Description	Product Code	
Model	60kW, DC Fast Charger with Dual Plugs, CCS1 with 4.5m Cable	CPVDC-60KW-2-CCS-4.5M
	60kW, DC Fast Charger with Dual Plugs, CCS1 with 4.5m Cable	CPVDC-60KW-2-CCS-7M
	60kW, DC Fast Charger with Dual Plugs, CCS1 and CHAdeMO with 4.5m Cable	CPVDC-60KW-CCS-CHA-4.5M
	60kW, DC Fast Charger with Dual Plugs, CCS1 and CHAdeMO with 7m Cable	CPVDC-60KW-CCS-CHA-7M
	Cable management system for FSP600 L3 DCFC	CPEVDC-CBL-MGT-60K
	DCFC payment device supporting Credit Card, RFID Card and NFC	CEVDC-PAY-DVC-BEZEL-8

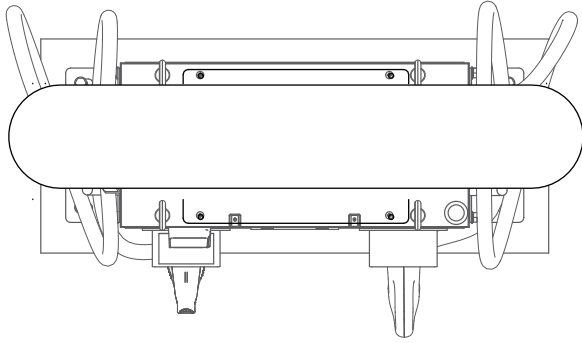
## Software and Services

Description	Product Code
TurnOnGreen Network Services Plan	TOG-ONE-NTWK-ANNUAL-1
TurnOnGreen Fleet Network Services Plan - 10 ports	TOG-FLT-NTWK-ANNUAL-10
TurnOnGreen Fleet Network Services Plan - 11-24 ports	TOG-FLT-NTWK-ANNUAL-24
TurnOnGreen Fleet Network Services Plan - 25-36 ports	TOG-FLT-NTWK-ANNUAL-36
TurnOnGreen Operations and Maintenance Plan - 10 ports	TOG-FLT-O&M-ANNUAL-10
TurnOnGreen Operations and Maintenance Plan - 11-24 ports	TOG-FLT-O&M-ANNUAL-24
TurnOnGreen Operations and Maintenance Plan - 25-36 ports	TOG-FLT-O&M-ANNUAL-36

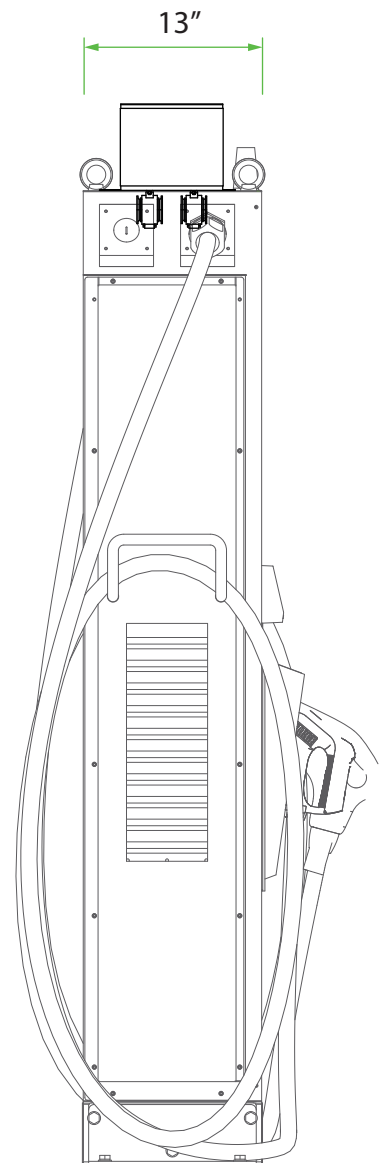
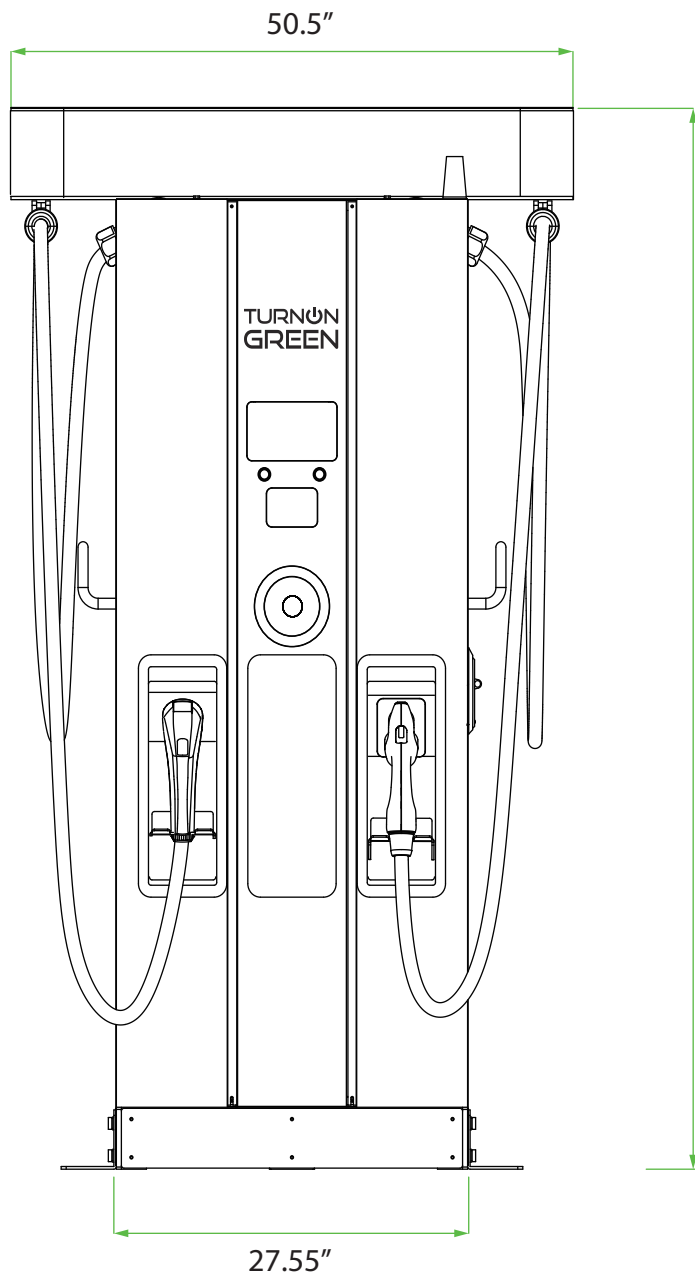
# Architectural Drawings and Dimensions



# Architectural Drawings and Dimensions

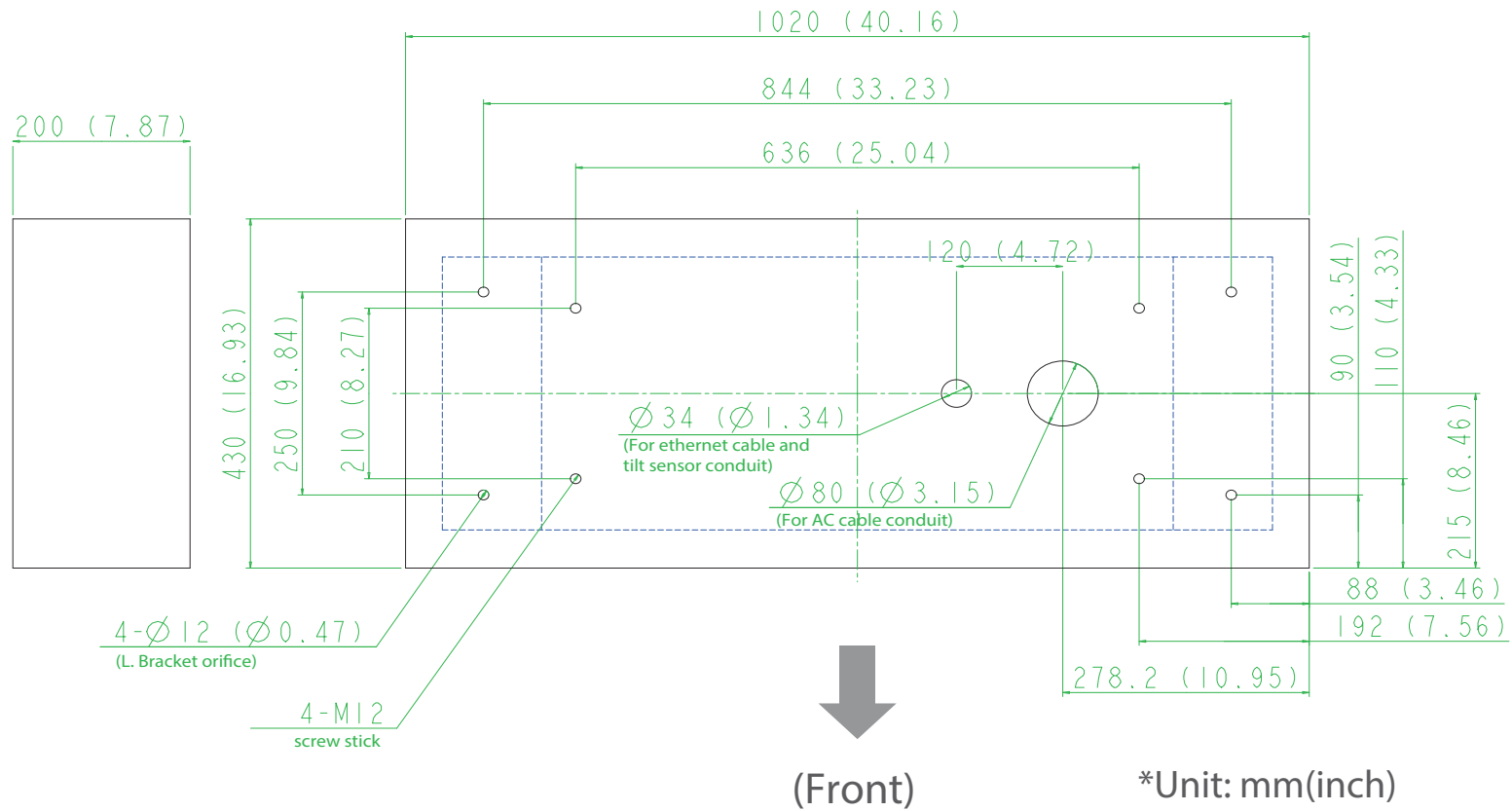


CPEVDC-CBL-MGT-60K



# Architectural Drawings and Dimensions

## Concrete Pad Dimensions



## General Specifications

Installation assistance and information available upon request. Contact [info@turnongreen.com](mailto:info@turnongreen.com) for more information.

Safety		NRTL - cETLus (USA/Canada)
AC Input	Input Rating	3Φ480Vac (+10%, -15%)
	AC Input Connection	3P+N+PE (Wye configuration), TN/TT
	Max Input Current	DC System:3Φ92A
	Frequency	50Hz/60Hz
	Power Factor	>0.99
	Efficiency	>94%, at optimize V/I point
DC Output	Output Voltage Range	CCS1:150~950Vdc CHAdEMO:150~500Vdc
	Max Output Current	CHAdEMO/CCS1:120A@500Vdc
	Max Output Power	DC 60kW
	Voltage Accuracy	±2%
	Current Accuracy	±2%
Display	7" LCD Display	
Buttons	Operation buttons / Emergency stop button	
User Authentication	RFID: support ISO 14443A/B, ISO 15693, FeliCa Lite-S (RCS966) OCPP, 2D barcode, Application, Mobile payment	
External Communication	Ethernet, Wi-Fi and 4G	
Internal Communication	CAN bus/ RS485	
Operating Temp	-22°F to +122°F (-30°C to +50°C)	
Humidity	5%~95% RH, non-condensing	
Altitude	≤ 6,560 feet (2000 m)	
IP/IK Level	NEMA 3R	
Cooling Method	Fan cooling	
Dimensions (WxDxH)	28 x 13 x 71 inch (700 x 331 x 1800 mm)	
Weight	518 lbs. (235 kg)	
Cable Length	15 feet (4.5 m) / 23 feet (7.0m)	
Input Protection	OVP, OCP, OPP, OTP, UVP, SPD	
Output Protection	OCP, SCP, OVP, LVP, OTP, IMD	
Certificate	UL 2202, UL2231	
Charging Interface	CHAdEMO V1.2, DIN 70121, ISO15118	



TurnOnGreen, Inc.  
1421 McCarthy Blvd.  
Milpitas, CA 95035

Product Support:  
800-469-4696  
[info@turnongreen.com](mailto:info@turnongreen.com)  
Visit  
[www.turnongreen.com](http://www.turnongreen.com)

TurnOnGreen, Inc. ("TurnOnGreen") reserves the right to alter product offerings and specifications at any time without notice. TurnOnGreen is not responsible, and disclaims any and all liability, for typographical or graphical errors, inaccuracies, or incompleteness that may appear in this document. This document does not expand or otherwise modify TurnOnGreen's terms and conditions of purchase, including but not limited to the warranty expressed therein.

Copyright 2023 TurnOnGreen, Inc. All rights reserved.