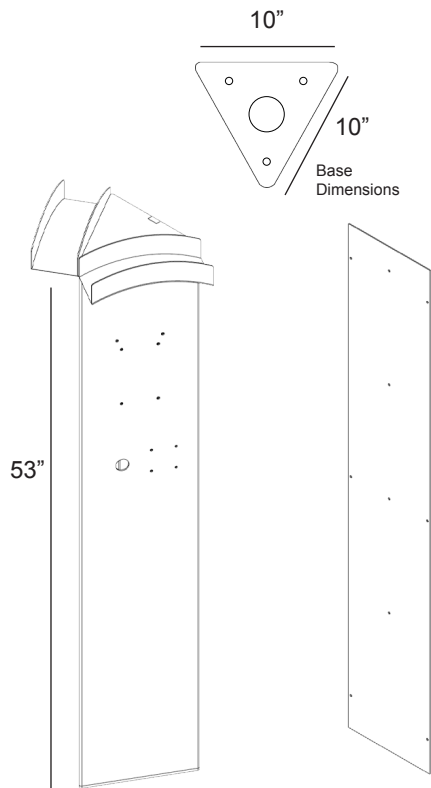


Installation Guide for TurnOnGreen Triangle Pedestal

1. CEVAC-PED-T-DUO Dimensions



Compatible with:
EV700
EVP700-4G-B

support@turnongreen.com

Copyright, TURNONGREEN
TURNONGREEN reserves the right to update the manual without any notice.

2. Installation Instructions

2.1 Concrete base requirements

The concrete pad should be in compliance with regulatory and local code requirements. The following instructions depict the minimum recommended dimensions.

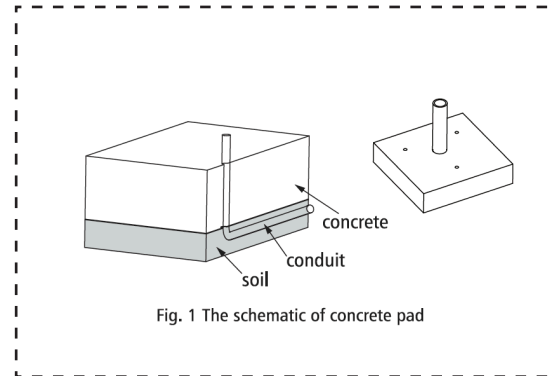
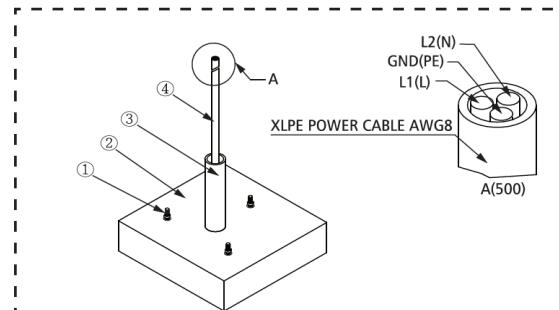


Fig. 1 The schematic of concrete pad

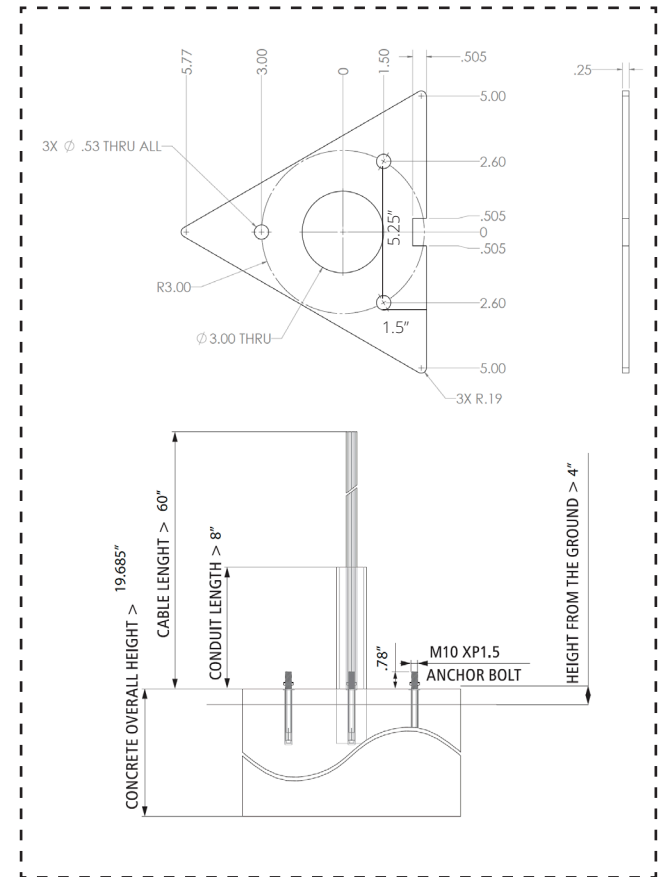


BALLON #		DESCRIPTION	MOTES
1	1	Concrete Pad	Compressive Strength > 3000 PSI
2	3	Anchor Bolt - M10*1.5/L120	M10* 1.5 Length, 4.72"
3	1	Cable Conduit	Height from Concrete > 7.87"
4	1	AC Power Cable	Length From Concrete > 60"

Fig 2

- First build the concrete bad for the pedestal with a compressive strength of over 3000psi. See Fig 1 & Fig 2 for reference. Concrete pad dimension recommendation: W 15.75" x L 15.75: x 20" as shown in Fig 3.

- Next, mount 3 anchor bolts sized M12x1.75 onto the concrete pad base using the dimensions in fig 3. The height of the bolts should be at least .80" above the concrete pad and depth of the bolt must be at least 3.55".



- Length of the conduit should be over 7.87" to prevent liquid from entering.
- Ensure length of the AC power cable and Ethernet (LAN) cable should be at least 60" to reach up to through the pedestal body and into the charger.
- The TurnOnGreen charger will come with its own mounting instructions. Please see intructions included with EV charger.
- After AC and LAN cable work is completed, fill the gap with silicon sealant to prevent water, dust, or insects from entering.

2.2. Pedestal Installation

Align the pedestal base holes with the 3 holes on the concrete pedestal. Attach the pedestal using anchor bolts and nuts. (Tightening torque > 400 kgf-cm). See Figure 4.

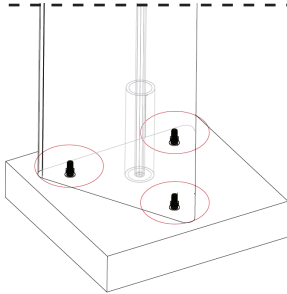
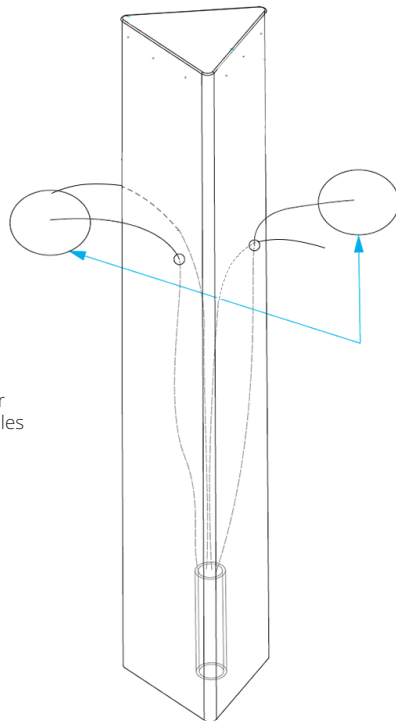


Fig 4. Pedestal bolt installation

Fig 5. Cables through hole



AC Cable through hole

LAN cable through hole
(RJ-45 8P8C modular plug crystal head of metal shell, CAT 6 STP or above specification wire)

Remove rear cover to easily guide cables upwards in the pedestal body.

2.3. AC Cable and Ethernet

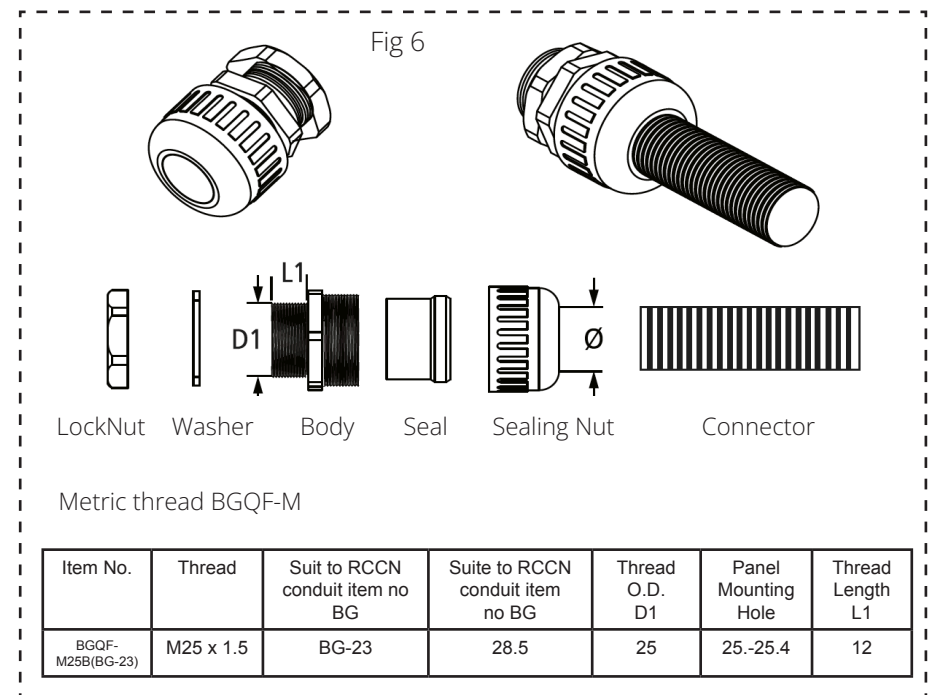
Remove the pedestal's rear cover to easily guide the AC power cable and CAT5 network cable (optional) up the pedestal and through the hole.

See Figure 5

2.4. Cord Grip

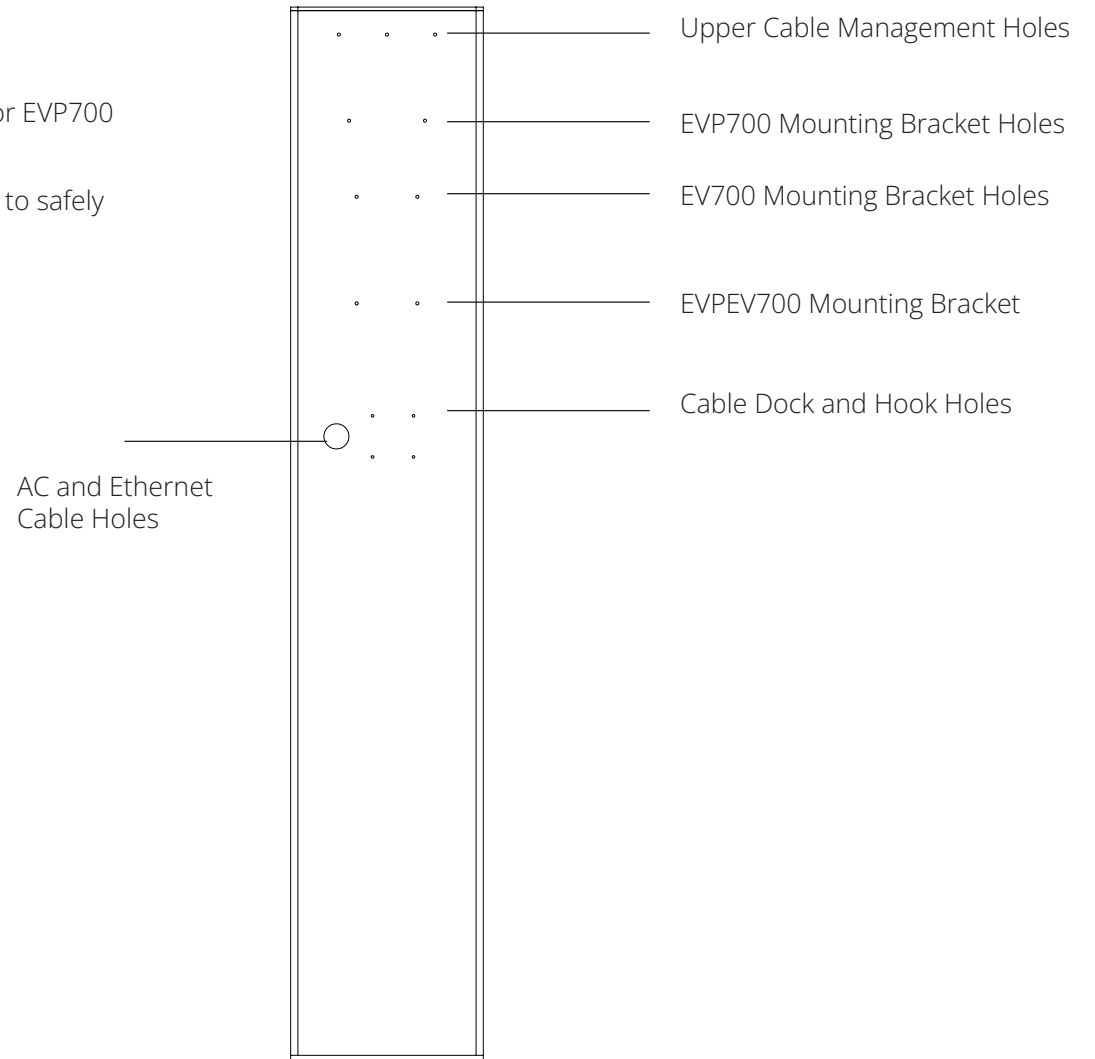
Use waterproof cord grips to connect the AC cable into the EV charger.

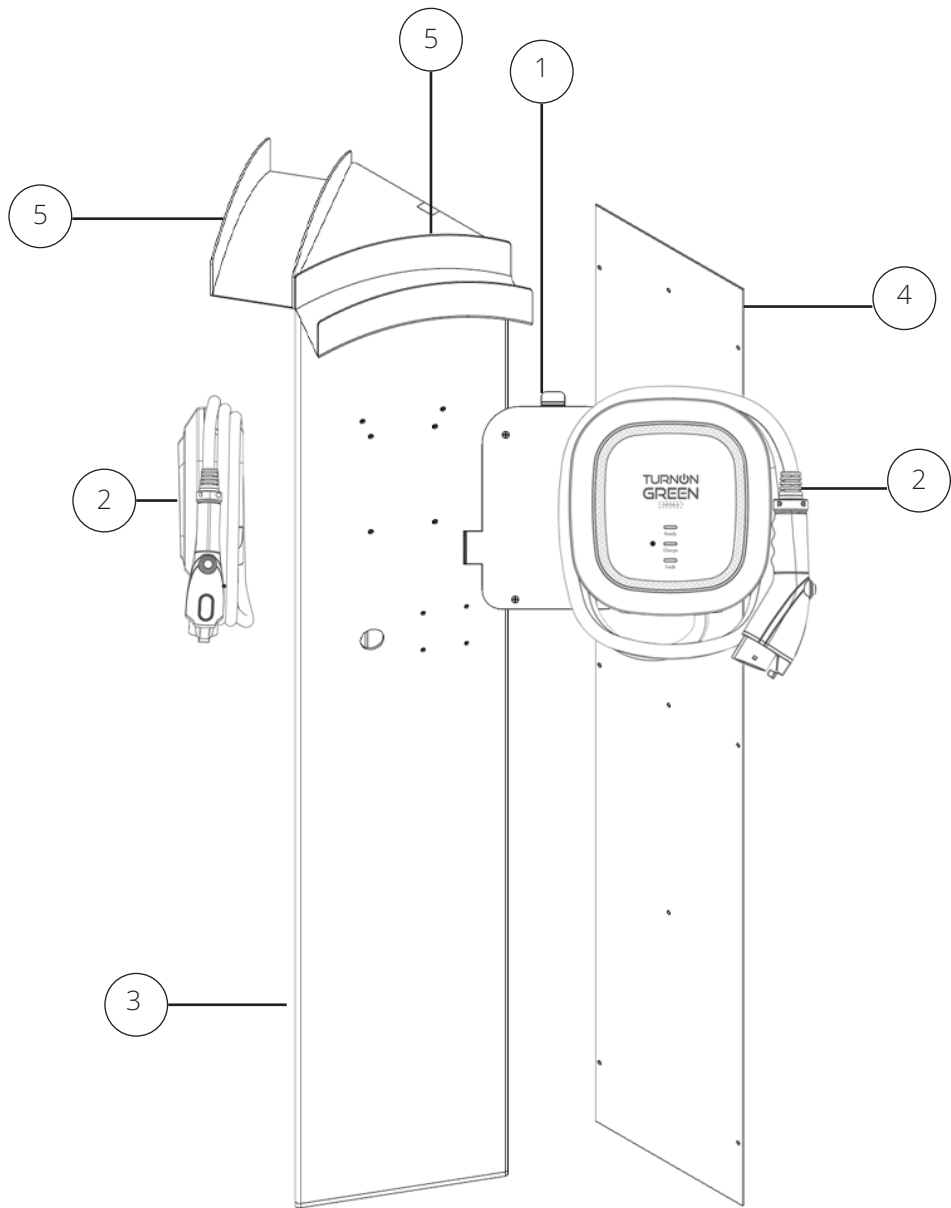
See Figure 6



2.5. Charger Hardware Mounting

- Use the mounting bracket hardware included with EV700 or EVP700 to mount charger onto the pedestal.
- Follow the installation manual included with either charger to safely install the EV charging hardware.
- Install a J1772 cable dock and cable hook (optional)
- Install upper cable management hardware (optional)





Item Descriptions

Item No.	Qty	Description
1	1/2	Charger Bracket (in charger box)
2	2	EV Charger (EVP700 shown)
3	1	Pedestal Body
4	1	Rear Cover
5	1/2	Upper Cable Management