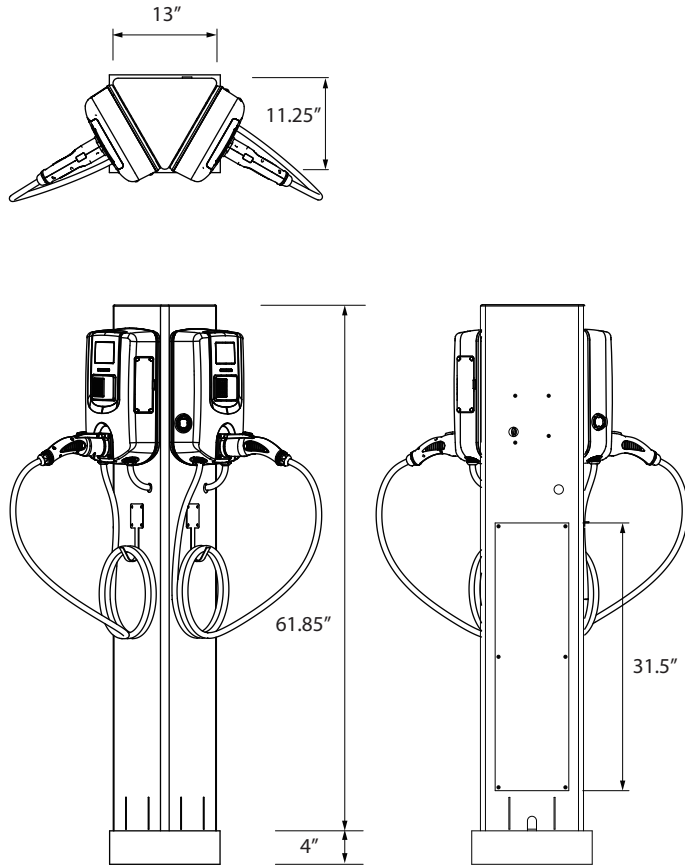


1 . Multi-mounted pedestal outline dimensions.



2 . Installation instructions

2 . 1 . Concrete base requirement

The concrete pad building should be compliance with regulatory and local code requirements. The following descriptions of the dimension or structure are minimum recommended.

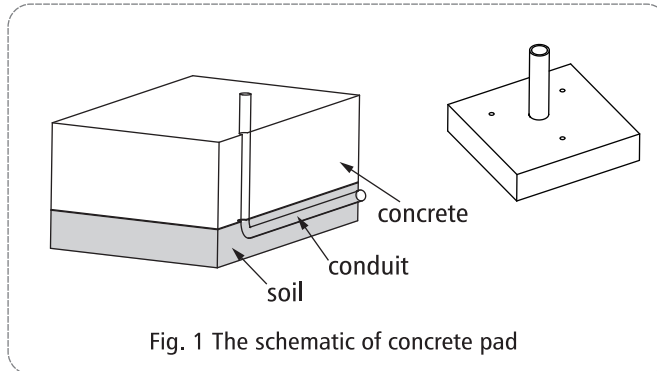


Fig. 1 The schematic of concrete pad

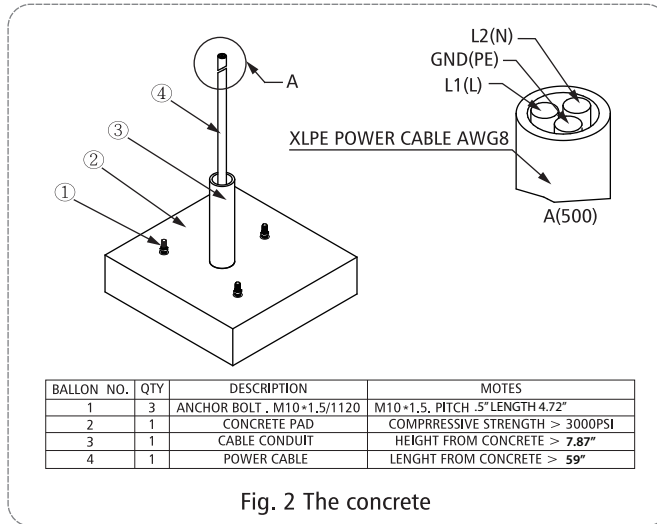


Fig. 2 The concrete

- The first, pedestal need build the concrete pad, the compressive strength must be over 3000psi, reference picture is shown as Fig. 1 & Fig. 2, and the concrete pad dimensions (W 14" x L 14" x H x 20") is shown as Fig. 3

- Please mount 3 pieces of M10X1.5 anchor bolts on the concrete pad according to the below dimensions. The height of the bolt should be at least 20mm above the concrete pad and depth of bolt is at least 90 mm.

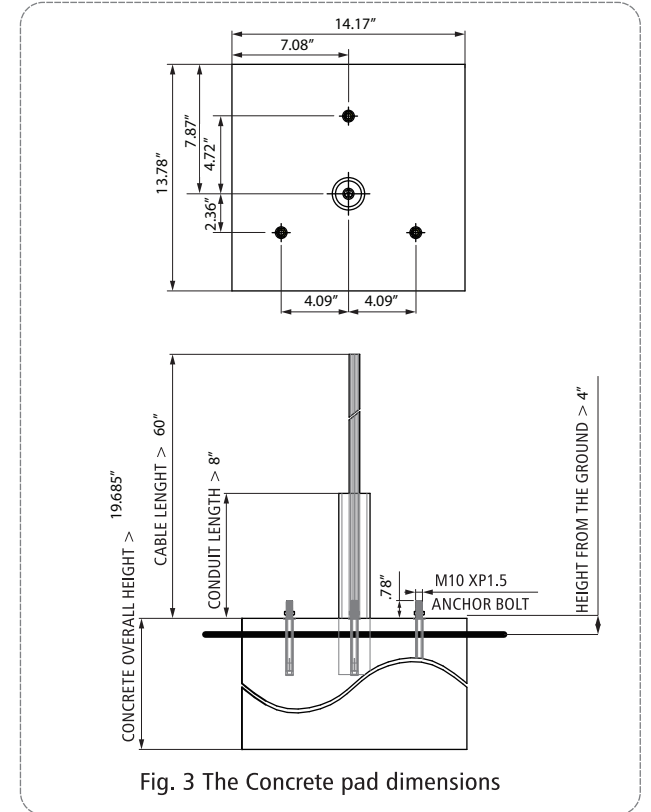


Fig. 3 The Concrete pad dimensions

- The command of conduit length must be over 7.87" to avoid liquid entering.
- Ensure the AC power cable and the network (LAN) cable are of enough length 60" to reach up through the pedestal body, then into the charger.
- The AC cable should be compliance with the max current > 35A, suggest the XLPE cable and gauge size over AWG 8.
- If AC and LAN cable work finish, the conduit fill the silicone sealant to arrive the water, dust and bug-resistant.

2.2 . Pedestal installation

- The pedestal base has 3 holes to align the anchor bolts and tight nuts (tightening torque > 400 kgf-cm).

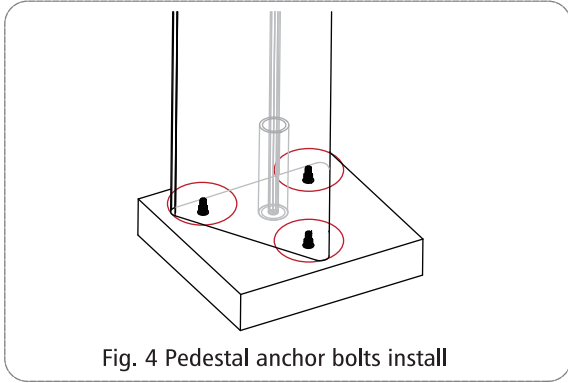


Fig. 4 Pedestal anchor bolts install

- The AC cable and LAN cable are through the holes on the pedestal body, shown as follows.

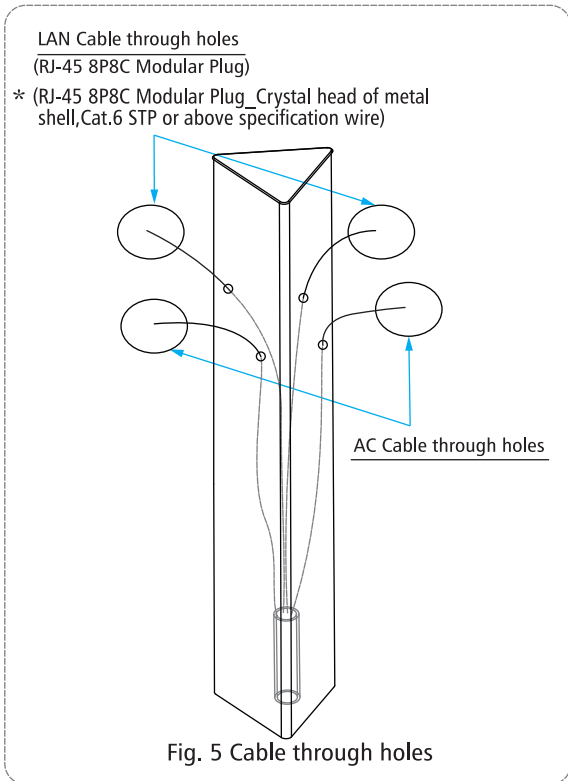
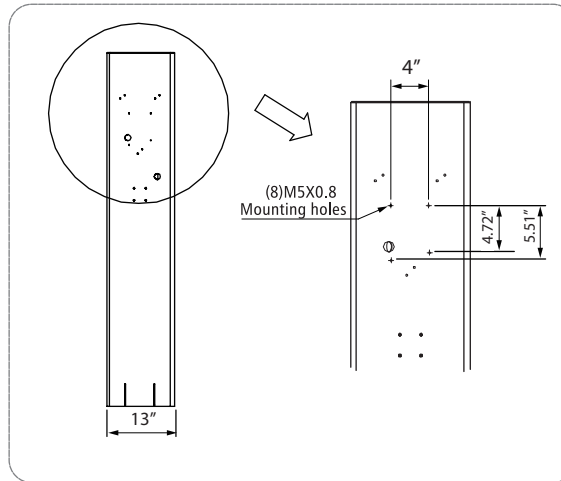


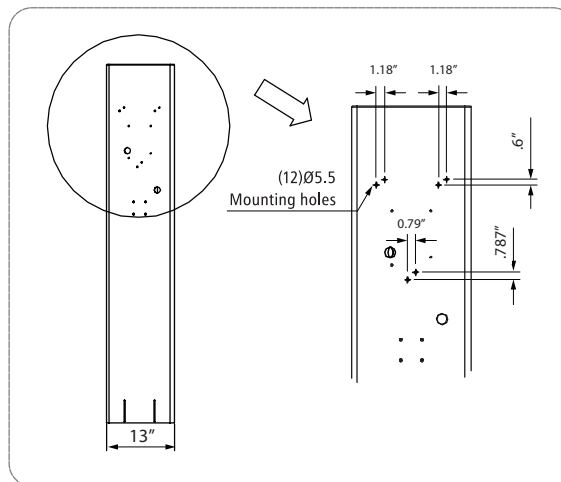
Fig. 5 Cable through holes

2.3 . Finally

- Installation method 1: The pedestal has four screw holes can fasten the bracket of EVSE, the positions is shown as follows:



- Installation method 2: Without using a fixing bracket, directly attach the EVSE lock to the column, as shown below:



- The AH series EVSE is mounted, is shown as follows, for reference.

